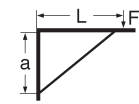
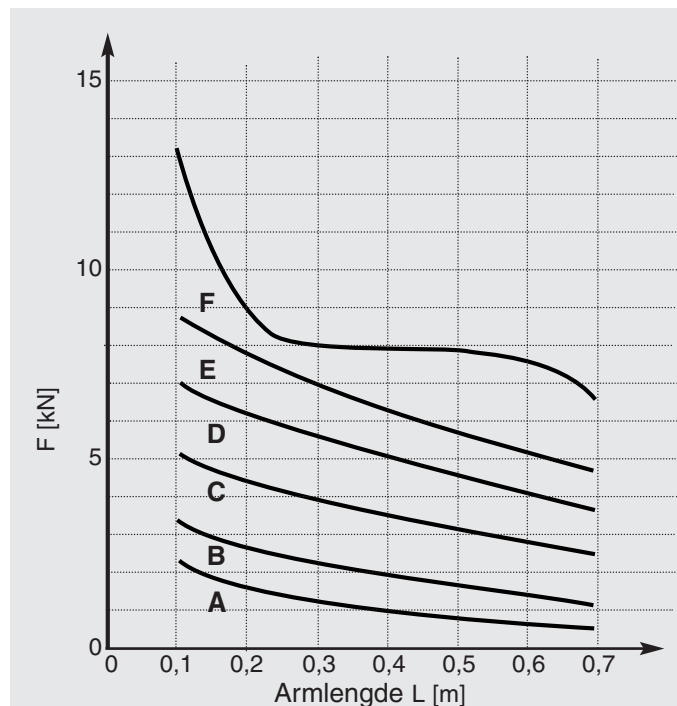
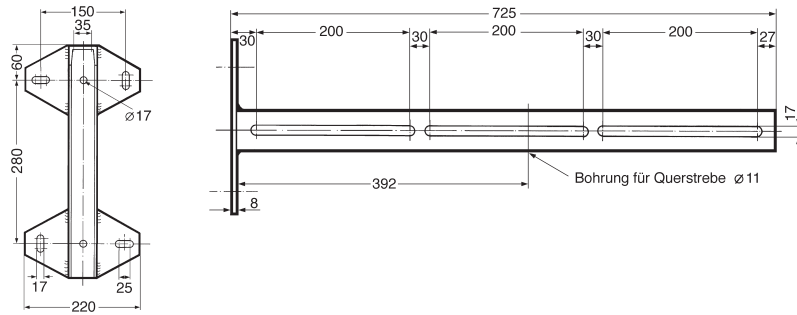
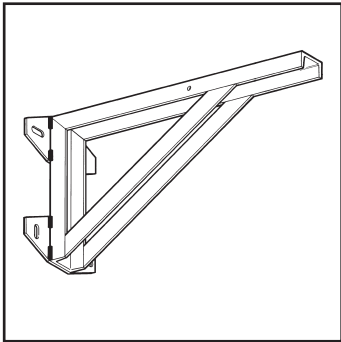


Vinkelkonsoll 725/400, belastningsdiagram



$\sigma_{tillatt} \leq 160 \text{ N/mm}^2$

Ankerlastklasser [kN]

Kurve	Eksempel 1	Eksempel 2	f_{max}
A	2 x 1,5	–	L/3000
	–	–	
B	1 x 3,5 1 x 1,5	3 x 1,5	L/2000
C	1 x 6,0 1 x 2,5	2 x 3,5 1 x 1,5	L/1000
D	1 x 9,0 1 x 3,5	2 x 6,0 1 x 2,5	L/ 900
E	1 x 13,0 1 x 3,5	2 x 9,0 1 x 3,5	L/ 700
F	–	2 x 13,0 1 x 6,0	L/ 500

Innfestingsalternativer

