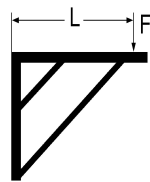
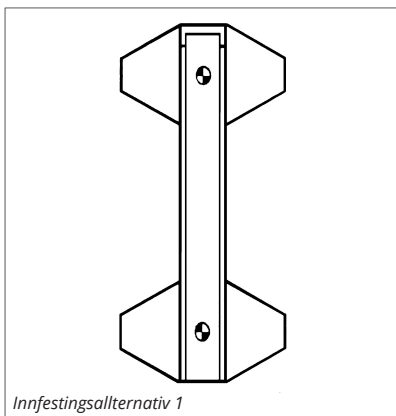
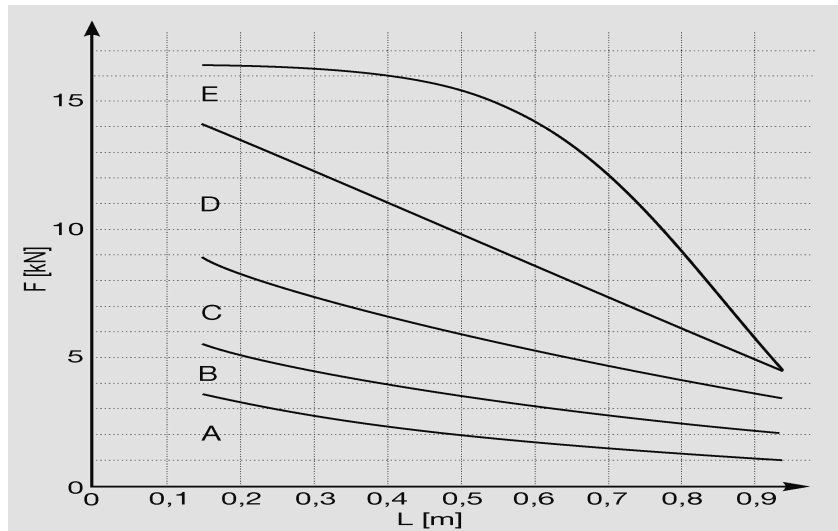
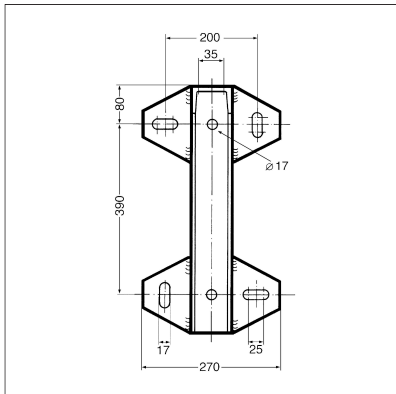
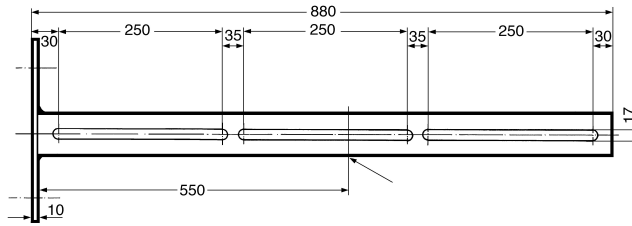


Belastningsdiagram, vinkelkonsoll 880/550



Ankerklasse

Kurve	Eksempel 1	Eksempel 2	f_{max}
A	1x3.5 1x1.5	2x2.5 1x1.5	L/1000
B	1x6.0 1x2.5	2x3.5 1x1.5	L/600
C	1x9.0 1x3.5	2x6.0 1x3.5	L/400
D	1x13.0 1x6.0	2x9.0 1x6.0	L/300
E		2x13.0 1x9.0	L/300

